

Specifications

	PA622U	PA522U	PA672W	PA572W	PA722X	PA622X
Method	Three primary colour liquid crystal shutter projection					
Specifications of main parts						
Liquid crystal panel	Size	0.76" (with MLA) x 3 (aspect ratio: 16:10)			0.79" (with MLA) x 3 (aspect ratio: 4:3)	
	Pixels(*1)	2,304,000 (1,920 dots x 1,200 lines)			1,024,000 (1,280 dots x 800 lines)	
Projection lenses	Zoom	Manual (zoom range depends on lens)				
	Focus	Manual				
Lens shifting	Manual					
Lamp wattage (*2)	350 W AC	330 W AC	350 W AC	330 W AC	350 W AC	330 W AC
Light output (*3) (*4)	ECO OFF 6,200 lm	5,200 lm	6,700 lm	5,700 lm	7,200 lm	6,200 lm
Contrast ratio (*3) (all white/all black)	6,000:1	5,000:1	6,000:1	5,000:1	6,000:1	5,000:1
Screen size(throw distance)	40" to 500" (throw distance depends on lens)					
Colour reproducibility	10-bit colour processing (approx. 1.07 billion colors)					
Audio output	Built-in 10 W monaural speaker					
Quietness (ECO mode ON/ECO mode OFF)	33 dB / 39 dB					
Scan rate	Horizontal	Analog: 15 kHz, 24 to 100 kHz (24 kHz or greater for RGB inputs), conforms to VESA standards / Digital: 15 kHz, 24 to 153 kHz, conforms to VESA standards				
	Vertical	Analog: 48 Hz, 50 to 85 Hz, 100, 120 Hz conforms to VESA standards / Digital: 24, 25, 30, 48 Hz, 50 to 85 Hz, 100, 120 Hz conforms to VESA standards				
Max. display resolution (horizontal x vertical)	Analog: 1,920 x 1,200 (with Advanced AccuBlend) / Digital: 4,096 x 2,160 (with Advanced AccuBlend)					
Input/output connectors						
Computer/Component	Video input	Mini D-Sub 15-pin x 1, 5BNC x 1				
	Audio input	Stereo mini jack x 2				
HDMI* Input Terminals	Audio output	Stereo mini jack x 1 (selected from Computer / BNC / HDMI)				
	Video input	TypeA 19 pin(HDMI* connector) with HDCP(V1.4) x 2				
HDMI* Output Terminal	Audio input	Yes				
	Video output	TypeA 19 pin(HDMI* connector) with HDCP(V1.4) x 1				
HDBaseT™	Audio output	Yes				
	Video input	RJ45 x 1 (IEEE 802.3/802.3u 100BASE-TX), Shared with Ethernet				
DisplayPort™	Audio input	Yes				
	Video input	DisplayPort 20 pin connector x 1				
BNC (CV)	Audio input	Stereo mini jack x 1 ,shared with 5BNC, BNC (CV), BNC (Y/C)				
	Video input	BNC x 2				
BNC (Y/C)	Audio input	Stereo mini jack x 1 ,shared with 5BNC, BNC (CV), BNC (Y/C)				
	Video input	BNC x 2				
PC control connector	D-Sub 9-pin x 1					
USB port	USB type A x 1					
Ethernet port	RJ-45 x 1, (Supports 100BASE-TX), Shared with HDBaseT					
Remote connector	Stereo mini jack x 1					
3D SYNC output terminal	5 V / 10 mA, synchronized signal output for 3D use					
Usage environment	Operating temperature: 5 to 40°C (*5), Operating humidity: 20 to 80% (*with no condensation) Storage temperature: -10 to 50°C, Storage humidity: 20 to 80% (*with no condensation) Operating altitude: 0 to 3,650 m (1,700 to 3,650 m: Set [FAN MODE] to [HIGH ALUTITUDE])					
Power supply	100-240 V AC, 50/60 Hz					
Power consumption	ECO mode off	483 W (100-130 V) 460 W (200-240 V)	463 W (100-130 V) 440 W (200-240 V)	483 W (100-130 V) 440 W (200-240 V)	463 W (100-130 V) 440 W (200-240 V)	483 W (100-130 V) 460 W (200-240 V)
	ECO mode on	377 W (100-130 V) / 362 W (200-240 V)				
	STANDBY (NORMAL)	0.11 W (100-130 V) / 0.16 W (200-240 V)				
	STANDBY(HDBaseT STANDBY)	7.4 W (100-130 V) / 7.9 W (200-240 V)				
Rated input current	5.5 A-2.2 A	5.1 A-2.2 A	5.5 A-2.2 A	5.1 A-2.2 A	5.5 A-2.2 A	5.1 A-2.2 A
Dimensions (W x H x D)	499 x 142 x 359 mm (Net dimensions not including protruding parts) 591 x 259 x 491 mm (Gross dimensions)					
Weight	8.4 kg (not including lens) 11.2 kg (Gross weight)					

- *1 : Effective pixels are more than 99.99 %.
- *2 : 264W when ECO mode is on.
- *3 : This is the light output value (lumens) when the [PRESET] mode is set to [HIGH-BRIGHT].
The light output values will drop to 80 % when [ON] is selected for [ECO MODE]. If any other mode is selected as the [PRESET] mode, the light output value may drop slightly.
- *4 : Compliance with ISO21118-2005
- *5 : 35 to 40°C - "Forced ECO mode" (PA622U/PA522U will shift to the ECO-mode in stages starting from 33 °C.)
- These specifications and the product's design are subject to change without notice.

Remote control (Included accessory)



Options

Replacement lamp NP26LP

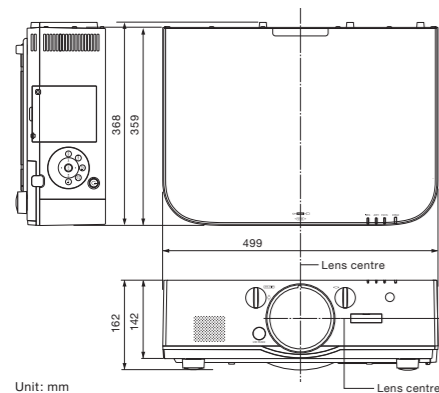


- Option lens
NP11FL **NP13ZL**
NP30ZL **NP14ZL**
NP12ZL **NP15ZL**

Cable cover NP04CV



Cabinet dimensions



Throw distance and screen size

WUXGA type

PA622U/PA522U (Aspect ratio 16:10)

Screen size	Lens unit model name					
	NP11FL	NP30ZL	NP12ZL	NP13ZL	NP14ZL	NP15ZL
30" (0.85x0.40m)	-	-	0.7-0.9	-	-	-
40" (0.86x0.54m)	0.7	-	1.0-1.3	1.2-2.5	-	-
60" (1.29x0.81m)	1.0	1.0-1.3	1.5-1.9	1.9-3.8	3.7-6.0	5.9-9.0
80" (1.72x1.09m)	1.4	1.4-1.8	2.0-2.6	2.5-5.1	5.0-8.0	7.9-12.1
100" (2.15x1.35m)	1.7	1.7-2.2	2.5-3.3	3.2-6.3	6.3-10.1	9.9-15.1
120" (2.59x1.62m)	2.1	2.0-2.7	3.0-3.9	3.8-7.6	7.5-12.1	11.9-18.2
150" (3.23x2.02m)	2.6	2.6-3.4	3.8-4.9	4.8-9.5	9.4-15.2	14.9-22.8
200" (4.31x2.89m)	-	3.4-4.5	5.1-6.6	6.4-12.7	12.6-20.3	20.0-30.5
240" (5.17x3.23m)	-	4.1-5.4	6.1-7.9	7.6-15.3	15.2-24.4	24.0-36.6
300" (6.46x4.04m)	-	5.2-6.8	7.6-9.9	9.6-19.1	19.0-30.5	30.1-45.8
400" (8.62x5.39m)	-	6.9-9.0	10.2-13.2	12.8-25.5	25.4-40.7	40.1-61.1
500" (10.77x6.73m)	-	8.7-11.3	12.7-16.5	16.0-31.9	31.8-50.9	50.2-76.4

XGA type

PA722X/PA622X (Aspect ratio 4:3)

Screen size	Lens unit model name					
	NP11FL	NP30ZL	NP12ZL	NP13ZL	NP14ZL	NP15ZL
30" (0.81x0.48m)	-	-	0.7-0.9	-	-	-
40" (0.81x0.61m)	0.6	-	0.9-1.2	1.2-2.4	-	-
60" (1.22x0.91m)	1.0	1.0-1.3	1.4-1.9	1.8-3.7	3.6-5.8	5.7-8.7
80" (1.63x1.22m)	1.3	1.3-1.7	1.9-2.5	2.4-4.9	4.8-7.8	7.6-11.6
100" (2.03x1.50m)	1.6	1.6-2.1	2.4-3.2	3.0-6.1	6.0-9.7	9.6-14.6
120" (2.44x1.83m)	2.0	2.0-2.6	2.9-3.8	3.7-7.4	7.3-11.7	11.5-17.6
150" (3.05x2.29m)	2.5	2.5-3.2	3.7-4.8	4.6-9.2	9.1-14.7	14.4-22.0
200" (4.06x3.05m)	-	3.3-4.3	4.9-6.4	6.1-12.3	12.2-19.6	19.3-29.4
240" (4.88x3.66m)	-	4.0-5.2	5.9-7.7	7.4-14.8	14.7-23.6	23.2-35.3
300" (6.10x4.57m)	-	5.0-6.5	7.4-9.6	9.2-18.5	18.4-29.5	29.1-44.2
400" (8.13x6.10m)	-	6.7-8.7	9.8-12.8	12.3-24.7	24.6-39.4	38.8-59.0
500" (10.16x7.62m)	-	8.4-10.9	12.3-16.0	15.4-30.8	30.7-49.2	48.6-73.8

WXGA type

PA672W/PA572W (Aspect ratio 16:10)

Screen size	Lens unit model name					
	NP11FL	NP30ZL	NP12ZL	NP13ZL	NP14ZL	NP15ZL
30" (0.85x0.40m)	-	-	0.7-1.0	-	-	-
40" (0.86x0.54m)	0.7	-	1.0-1.3	1.2-2.5	-	-
60" (1.29x0.81m)	1.0	1.0-1.3	1.5-2.0	1.9-3.8	3.7-6.0	5.9-9.1
80" (1.72x1.09m)	1.4	1.4-1.8	2.0-2.6	2.5-5.1	5.0-8.1	7.9-12.1
100" (2.15x1.35m)	1.7	1.7-2.2	2.5-3.3	3.2-6.4	6.3-10.1	9.9-15.2
120" (2.59x1.62m)	2.1	2.0-2.7	3.0-4.0	3.9-7.7	7.6-12.2	12.0-18.3
150" (3.23x2.02m)	2.6	2.6-3.4	3.8-5.0	4.8-9.6	9.5-15.3	15.0-22.9
200" (4.31x2.89m)	-	3.4-4.5	5.1-6.6	6.4-12.8	12.7-20.4	20.1-30.6
240" (5.17x3.23m)	-	4.1-5.4	6.1-8.0	7.7-15.4	15.3-24.5	24.1-36.9
300" (6.46x4.04m)	-	5.2-6.8	7.7-10.0	9.6-19.2	19.1-30.7	30.2-46.0
400" (8.62x5.39m)	-	6.9-9.0	10.2-13.3	12.8-25.7	25.5-40.9	40.4-61.4
500" (10.77x6.73m)	-	8.7-11.3	12.8-16.7	16.0-32.1	31.9-51.2	50.5-76.9

*Stated projection distances are standard values.
 For a stack installation, the recommended projection distances will be different.
 *The values in the tables are design values and may vary.

<http://www.nec-display.com/ap/>

- The projector can be unplugged during its cool down period after it is turned off. Parts of the projector will become heated during operation.
- Use caution when picking up the projector immediately after it has been operating.
- Use caution when putting the projector in the soft case immediately after the projector has been operating.
- The projector cabinet is hot.

Microsoft is a registered trademark or trademark of Microsoft Corporation in the United States and/or other countries.
 HDMI, the HDMI Logo and High-Definition Multimedia Interface are trademarks or registered trademarks of HDMI Licensing LLC.
 DisplayPort and DisplayPort Certified Logo are trademarks of the Video Electronics Standards Association, registered in the U.S. and other countries.
 HDBaseT™ is a trademark of HDBaseT Alliance.
 CRESTRON and CRESTRON ROOMVIEW are trademarks or registered trademarks of Crestron Electronics, Inc.
 Trademark PJLink is a trademark applied for trademark right in the United States of America and other countries.
 VESA is a trademark of a nonprofit organization, Video Electronics Standard Association.
 All other trademarks are the property of their respective owners.
 The images in this brochure are samples.

Cat.No. WLPJ-1411-0022N

Installation Projector

PA622U / PA522U / PA672W / PA572W / PA722X / PA622X

Powerful installation projector equipped to take on the most demanding integration projects



Enjoy design and installation flexibility with a complete line of optional bayonet style lenses, tilt-free installation capabilities and horizontal/vertical lens shift.

Advanced installation capabilities

Six types of optional lenses available for flexible installation

Enjoy greater installation flexibility with a complete line of optional bayonet style lenses (6) for quick and easy exchange. Lens throw distances range from 0.6 to 76.9 m. *The lenses are not included with this unit.

Lens specifications

	NP11FL	NP30ZL	NP12ZL	NP13ZL	NP14ZL	NP15ZL
Option lens						
Lens type	Fixed Short Throw Lens	Zoom Lens				
Zoom/Focus	Manual (Focus only)	Manual				
Zoom ratio	-	1.3	1.3	2.0	1.6	1.52
Throw ratio *1	0.8 : 1	0.81-1.06 : 1	1.19-1.56 : 1	1.50-3.02 : 1	2.97-4.79 : 1	4.70-7.20 : 1
Screen size (inches)	40-150	52-500	30-500	40-500	60-500	60-500
Light output *2	PA722X 5,400 ANSI lm PA622X 4,600 ANSI lm PA672W 4,700 ANSI lm PA572W 4,000 ANSI lm PA622U 4,200 ANSI lm PA522U 3,500 ANSI lm	6,800 ANSI lm	5,600 ANSI lm	7,200 ANSI lm	5,800 ANSI lm	5,600 ANSI lm
Weight	1.2 kg	1.2 kg	1.2 kg	0.84 kg	1.0 kg	1.0 kg

*1 Value with XGA. *2 Brightness value when the lamp mode is set to "ECO OFF Mode" and the preset mode is "High-bright mode".

Lens shift function for easily adjusting the position of the projected image

The projector is equipped with a lens shift that allows you to adjust the projected image horizontally or vertically. You can easily adjust the position of the projection just by turning the lens shift dials, without having to move the projector unit itself. Furthermore, the projector is also equipped with a centre lens design for easy alignment.

Lens shift dials

Lens shifting range (with NP12ZL/NP13ZL/NP14ZL/NP15ZL)

0.5 V (PA722X/PA622X/PA622U/522U)
0.6 V (PA672W/PA572W)

Width of projected image

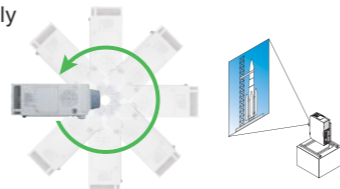
Height of projected image

* For the PA622U/PA522U, horizontal lens shift range is 0.15H at over 150"
** These values are with the NP12ZL/NP13ZL/NP14ZL/NP15ZL

*The lens shift mechanism does not work when using NP11FL.
*As you maximise the tilt direction of the lens shift, the area surrounding the screen may get darker and shadows may appear.

Tilt-free and portrait mode support

The projector can be rotated freely (360°) to point up or down depending on the installation requirements and can be installed on its side to create a portrait image.



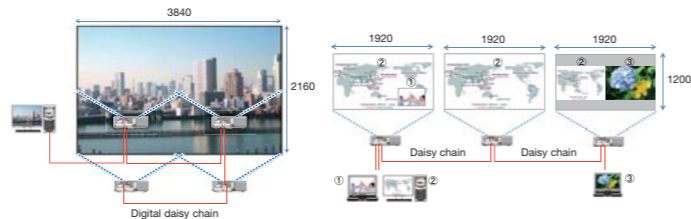
Built-in edge blending

This function seamlessly blends multiple projected images to display a single high-resolution image.



Multiscreen function

Multi-display capabilities and Tiling technologies are integrated into the new PA series. This projector is also equipped with multiple digital input & HDMI output terminals that can connect multiple projectors in a digital daisy chain. These cutting-edge functions produce a beautiful high-resolution image, including a 4K/2K high-resolution display using 4 PA622U/522U projectors and various Picture in Picture/Picture by picture configurations.



Stacking capabilities

This feature allows the projectors to boost an image's brightness up to 28,800 ANSI lm (PA722X), which is ideal for large screens and environments with strong ambient light. It also prevents the complete loss of an image, which can happen when using only one projector.

Geometric correction

This feature corrects horizontal and vertical keystone distortion or adjusts the image when projecting onto a unique shaped screen.



Fantastic cinema quality picture

Equipped with NEC 4,096 x 2,160 scaler NV1301 and the 3rd Sweetvision™ circuit

This 10 bit video processor represents an enormous leap in video processing, with true flagship performance in noise reduction, de-interlacing and scaling.



- 4K Ultra HD support (4,096 x 2,160 / 3,840 x 2,160)
- 12 bit gamma correction
- Advance colour correction (6-axis saturation and hue adjustment / skin tone)
- Video and film cadence detection (multi cadence)
- Per-pixel motion adaptive de-interlacing
- Detail enhancement
- Super resolution correction (3rd Sweetvision™)
- 3D random, mosquito and block noise reduction

Maintenance-free and environment friendly design

Large maintenance-free filter

The projector uses large two-layer filters. Since they are highly effective at repelling dust, as long as the filter is replaced with new ones when changing the lamp, there is no need for regular cleaning.



ECO mode

ECO mode that curbs electricity consumption and extends the lamp replacement time to a maximum of 4,000 hours.

Energy saving design with a standby power consumption of 0.16 W (200-240 V)

Compatible with diverse signal sources

Built-In HDBaseT support



Simplify your installations with HDBaseT, which is optimized for video applications and supports uncompressed full HD digital video, audio, ethernet, and various control signals. With only a single cable (up to 100 m) to run, infrastructure and labor costs are reduced, installations are significantly easier, and there is no cable clutter to manage. With uncompressed HD video support, images have never been more stunning. What's more, control signals are contained in the same cable.

Wide selection of inputs and outputs such as HDMI and DisplayPort

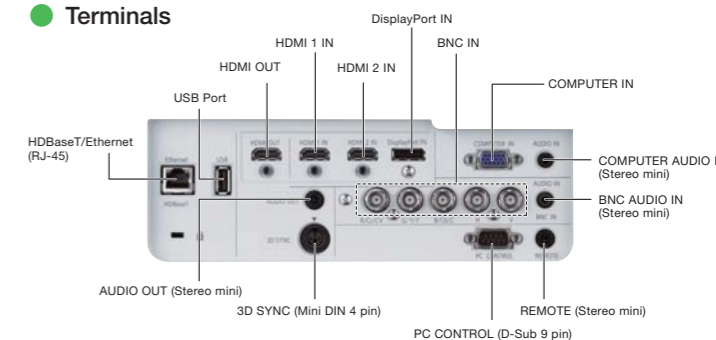
The projector is equipped with a wide range of input/output terminals and compatible with a variety of image sources, which lets you connect HDMI, DisplayPort, computer (analogue), 5-core BNC, and video sources.



Other useful functions and features

- Seamless switching
- Remote control ID
- Silent design of 33dB in ECO mode
- Built-in 10 W monaural speaker
- PIN security / Control panel lock / Security bar / Security slot
- Network control
 - NaviSet Administrator 2 / PC control / Alert mail
 - CRESTRON ROOMVIEW™ / AMX BEACON
 - PJLink / HTTP server (projector adjustment)
- Active single 3D video support
- Program timer with real time clock / OFF Timer

Terminals



PA622U

6200 ANSI lumens WUXGA 8.4kg

PA522U

5200 ANSI lumens WUXGA 8.4kg

PA672W

6700 ANSI lumens WXGA 8.4kg

PA572W

5700 ANSI lumens WXGA 8.4kg

PA722X

7200 ANSI lumens XGA 8.4kg

PA622X

6200 ANSI lumens XGA 8.4kg

Brightness using NP13ZL. Weight does not include lens

Multimedia models* are also available. *PA621U / PA521U / PA671W / PA571W / PA721X / PA621X